

# COMMERCIAL KITCHEN CHILLER & FREEZER



## Features & Benefits

- Handle with smooth edge, anti-cutting hand.
- Imported compressor, the entire copper pipe line, imported expansion valve for freezer, high cooling efficiency, energy saving.
- High density foam, increasing the thickness of the cabinet, new magnetic door seal, good adhesion.
- High quality stainless steel, the good grain surface, the product is shining and clean appearance overall, minimalist design is not simp.



■ The outer box and inner liner are made of high quality stainless steel.



■ The inner liner is designed with no dead-end cleaning and meets HACCP standards.



■ One-piece liner, thickened seal, high-density thickened foam layer.



■ Automatic return door design to prevent cold air from leaking out if you forget to close the door.



■ The key parts are made of copper, which helps to cool down the temperature and is corrosion-resistant and durable, and dissipates heat quickly.



■ Imported compressor unit, durable.



UPRIGHT SOLID DOOR CHLLER&FREEZER (DIRECT COOLING)

UPRIGHT SOLID DOOR CHLLER&FREEZER (AIR COOLING)



■ 2 DOOR SOLID



■ 4 DOOR SOLID



■ 6 DOOR SOLID



■ 2 DOOR SOLID



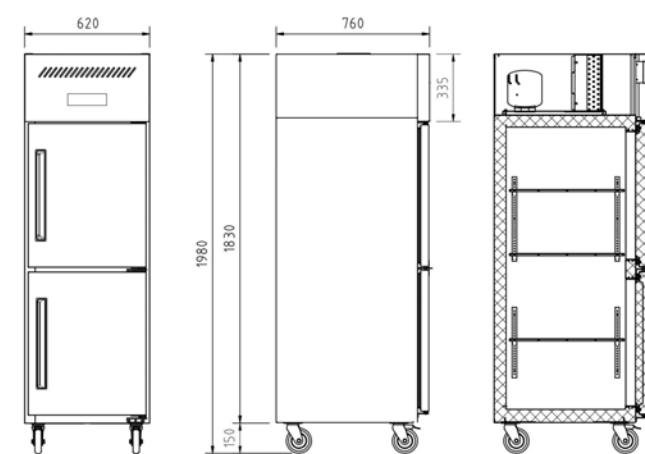
■ 4 DOOR SOLID



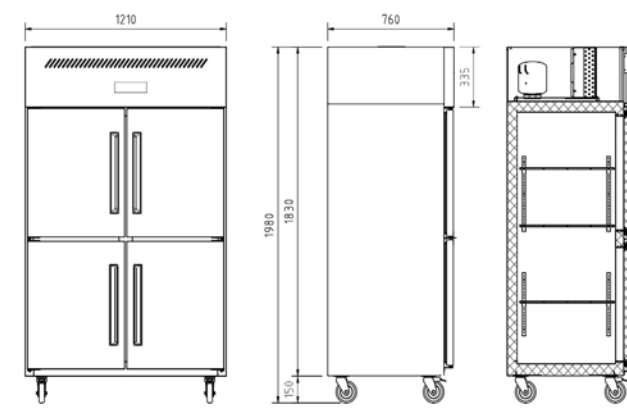
■ 6 DOOR SOLID

Model	VDR430L2	VDF430L2	VDR935L4	VDF935L4	VDR1450L6	VDF1450L6	VDFR935L4	VDFR1450L6
Product	2 DOOR SOLID		4 DOOR SOLID		6 DOOR SOLID		4 DOOR SOLID DUAL TEMP.	6 DOOR SOLID DUAL TEMP.
Classification	Chiller	Freezer	Chiller	Freezer	Chiller	Freezer	Chiller/Freezer	Chiller/Freezer
Size(mm)	620×760/720×1980		1210×760/720×1980		1810×760/720×1980		1210×760/720×1980	1810×760/720×1980
Capacity(L)	430L		935L		1450L		935L	1450L
Refrigeration mode	Direct cooling		Direct cooling		Direct cooling		Direct cooling	Direct cooling
Temperature	-5℃~+10℃	-18℃~-12℃	-5℃~+10℃	-18℃~-12℃	-5℃~+10℃	-18℃~-12℃	-5℃~+10℃ /-18℃~-12℃	-5℃~+10℃ /-18℃~-12℃
Refrigerant	R-134a	R-404a	R-134a	R-404a	R-134a	R-404a	R-404a	R-404a
Voltage	220V/50Hz							
Power	354W	380W	535W	636W	967W	1021W	690W	1121W
Net weight	97KG		142KG		156KG		142KG	156KG

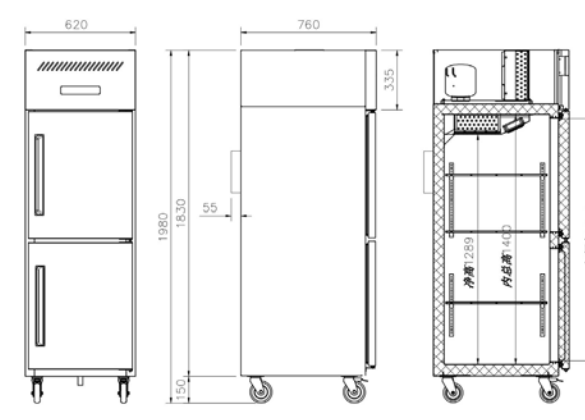
Model	VAR395L2	VAF395L2	VAR865L4	VAF865L4	VAR1340L6	VAF1340L6	VAFR865L4	VAFR1340L6
Product	2 DOOR SOLID		4 DOOR SOLID		6 DOOR SOLID		4 DOOR SOLID DUAL TEMP.	6 DOOR SOLID DUAL TEMP.
Classification	Chiller	Freezer	Chiller	Freezer	Chiller	Freezer	Chiller/Freezer	Chiller/Freezer
Size(mm)	620×760/720×1980		1210×760/720×1980		1810×760/720×1980		1210×760/720×1980	1810×760/720×1980
Capacity(L)	395L		865L		1340L		865L	1340L
Refrigeration mode	Air cooling		Air cooling		Air cooling		Air cooling	Air cooling
Temperature	-5℃~+10℃	-18℃~-12℃	-5℃~+10℃	-18℃~-12℃	-5℃~+10℃	-18℃~-12℃	-5℃~+10℃ /-18℃~-12℃	-5℃~+10℃ /-18℃~-12℃
Refrigerant	R-134a	R-404a	R-134a	R-404a	R-134a	R-404a	R-404a	R-404a
Voltage	220V/50Hz							
Power	512W	512W	840W	840W	1146W	1146W	840W	1146W
Net weight	97KG		142KG		156KG		142KG	156KG



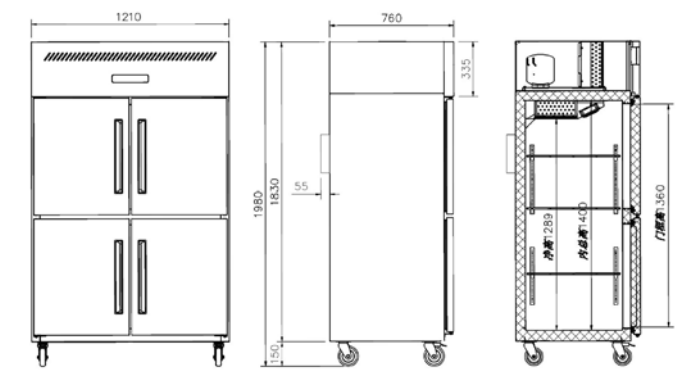
■ 2 DOOR SOLID



■ 4 DOOR SOLID



■ 2 DOOR SOLID



■ 4 DOOR SOLID

UPRIGHT GLASS DOOR CHLLER&FREEZER (AIR COOLING)

UPRIGHT SOLID DOOR GN CHLLER&FREEZER (AIR COOLING)



■ 1 OR 2 DOOR

■ 2 OR 4 DOOR

■ 3 OR 6 DOOR

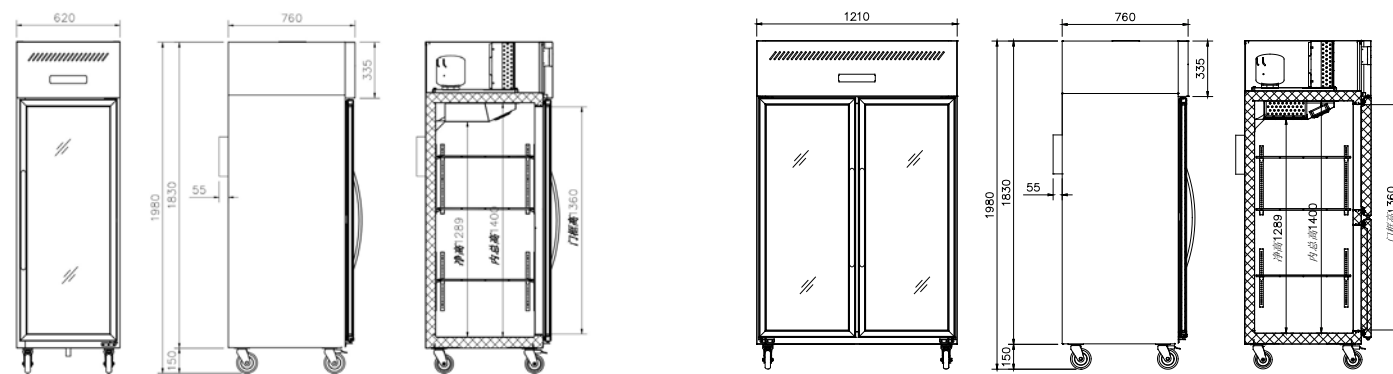


■ 1 DOOR SOLID

■ 2 DOOR SOLID

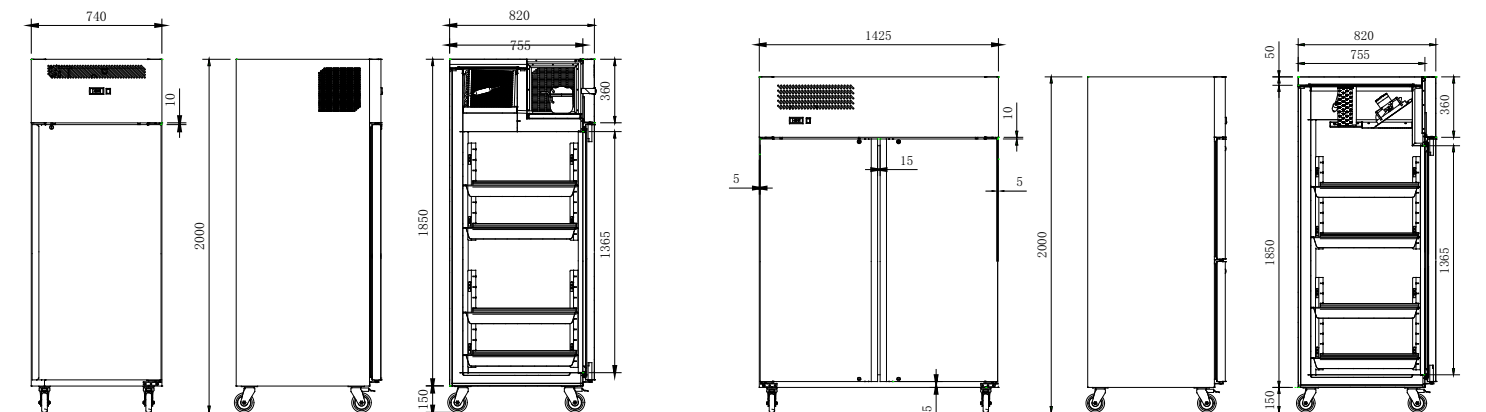
Model	VAR395L(1&2)S	VAR395L(1&2)1S	VAR865L(2&4)S	VAR865L(2&4)S	VAR1340L(3&6)S	VAR1340L(3&6)S
Product	1 OR 2 DOOR		2 OR 4 DOOR		3 OR 6 DOOR	
Classification	Chiller	Freezer	Chiller	Freezer	Chiller	Freezer
Size(mm)	620×760/720×1980		1210×760/720×1980		1810×760/720×1980	
Capacity(L)	395L		865L		1340L	
Refrigeration mode	Air cooling		Air cooling		Air cooling	
Temperature	+2 ~+10	-18 ~-12	+2 ~+10	-18 ~-12	+2 ~+10	-18 ~-12
Refrigerant	R-134a	R-404a	R-134a	R-404a	R-134a	R-404a
Voltage	220V/50Hz					
Power	512W	512W	840W	840W	540W	600W
Net weight	97KG		99KG		150KG	

Model	T-GN740AR1H	T-GN740AF1H	T-GN1425AR2H	T-GN1425AF2H
Product	1 DOOR SOLID	1 DOOR SOLID	2 DOOR SOLID	2 DOOR SOLID
Classification	Chiller	Freezer	Chiller	Freezer
Size(mm)	740×820×2000		1425×820×2000	
Capacity(L)	610(9*2/1GN Pans )		1245(18*2/1GN Pans )	
Refrigeration mode	Air cooling		Air cooling	
Temperature	-5 ~-10	-15 ~-22	-5 ~-10	-15 ~-22
Refrigerant	R-134a	R-404a	R-134a	R-404a
Voltage	220V/50Hz			
Power	502W	632W	1050W	1066W
Net weight	97KG	100KG	142KG	1156KG



■ 1 DOOR

■ 2 DOOR



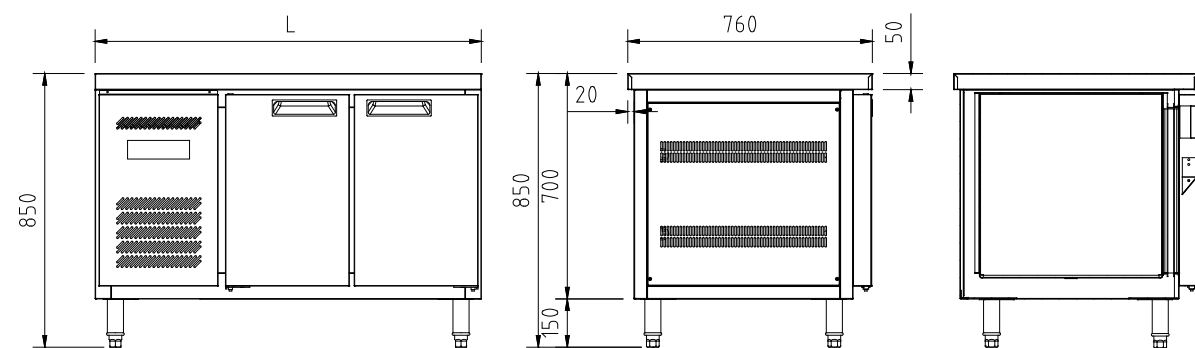
■ 1 DOOR SOLID

■ 2 DOOR SOLID

## STANDARD COUNTER FREEZER



Model	R02L2	F02L2	R025L2	F025L2	R04L2	F04L2	HAR260L2	HAF260L2	HAR370L2	HAF370L2
Product	2 DOOR (Direct cooling)		2 DOOR (Direct cooling)		2 DOOR (Direct cooling)		2 DOOR (Air cooling)		2 DOOR (Air cooling)	
Classification	Chiller	Freezer	Chiller	Freezer	Chiller	Freezer	Chiller	Freezer	Chiller	Freezer
Size(mm)	1200×600/700/760×800		1500×600/700/760×800		1800×600/700/760×800		1200×760/720×850		1500×760/720×850	
Capacity(L)	260L		370L		480L		260L		370L	
Refrigeration mode	Direct cooling						Air cooling			
Temperature	+2 ~+8	0 ~-18	+2 ~+8	0 ~-18	+2 ~+8	0 ~-18	+2 ~+8	0 ~-18	+2 ~+8	0 ~-18
Refrigerant	R-134a	R-404a	R-134a	R-404a	R-134a	R-404a	R-134a	R-404a	R-134a	R-404a
Voltage	220V/50Hz									
Power	535W	430W	360W	438W	365W	442W	430W		440W	
Net weight	74KG		86KG		97KG		86KG		86KG	

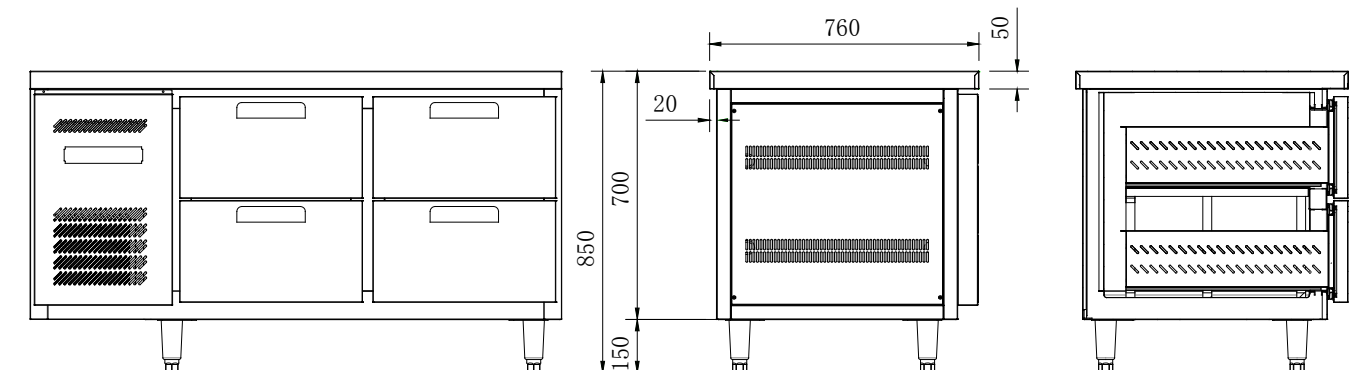


■ 2 DOOR (Air cooling)

## STANDARD COUNTER FREEZER



Model	VAR480Z(2&3)	VAF480Z(2&3)	CT1500ARD4	CT1500ARD6	CT1900ARD9
Product	2 OR 3 DOOR (Air cooling)		4 DOOR with drawers	6 DOOR with drawers	9 DOOR with drawers
Classification	Chiller	Freezer	Chiller		
Size(mm)	1800×760/720×1980		1500×760/720×1980		1900×760/720×1980
Capacity(L)	480L		370L		602L
Refrigeration mode	Air cooling		Air cooling		
Temperature	-5°C~+10°C	-18°C~-12°C	-5°C~+10°C		
Refrigerant	R-134a	R-404a	R-134a		
Voltage	220V/50Hz				
Power	602W	620W	440W		602W
Net weight	102KG		215KG		112KG



■ 4 DOOR with drawers

# BANQUET FOOD TROLLEY

Handle with smooth edge, anti-cutting hand.  
Imported compressor, the entire copper pipe line.

High quality stainless steel, the good grain surface.

The product is shining and clean appearance overall, minimalist design is not simple.



## BANQUET FOOD TROLLEY

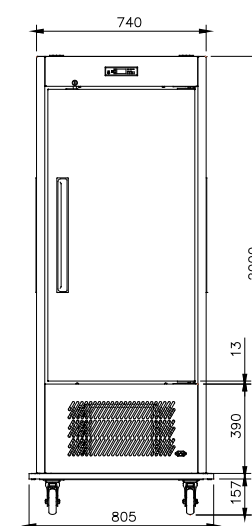


■ BANQUET FOOD TROLLEY (Chiller)

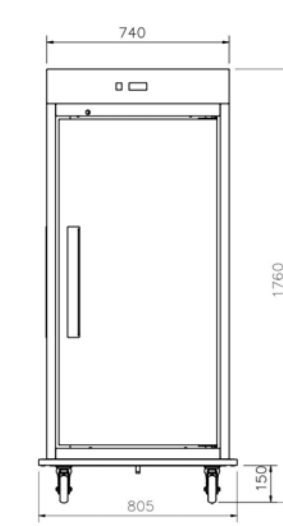
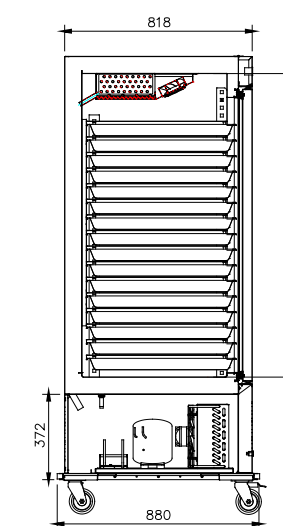


■ BANQUET FOOD TROLLEY (Warm)

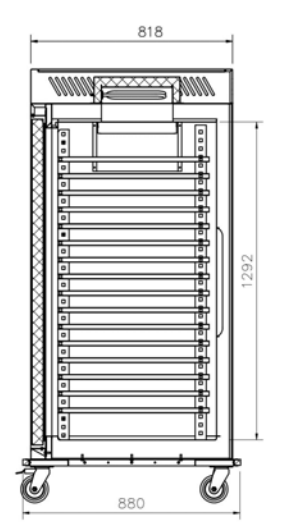
Model	MRC16SS	MRC32SS	MHC16SS	MHC32SS
Product	BANQUET FOOD TROLLEY (Chiller)		BANQUET FOOD TROLLEY (Warm)	
Classification	Chiller		Warm	
Size(mm)	805×880×2000	1465×880×2000	805×880×1760	1465×880×1760
Capacity(L)	594L ( 16*2/1Pans )	1180L ( 32*2/1Pans )	495L ( 16*2/1Pans )	990L ( 32*2/1Pans )
Refrigeration mode	Air cooling		\	
Temperature	+4 ~ +10		+78 ~ +82	
Refrigerant	R-134a		\	
Voltage	220V/50Hz			
Power	526W	756W	1100W	2100W
Net weight	107KG	200KG	137KG	220KG



■ MRC16SS / MRC32SS



■ MHC16SS / MHC32SS

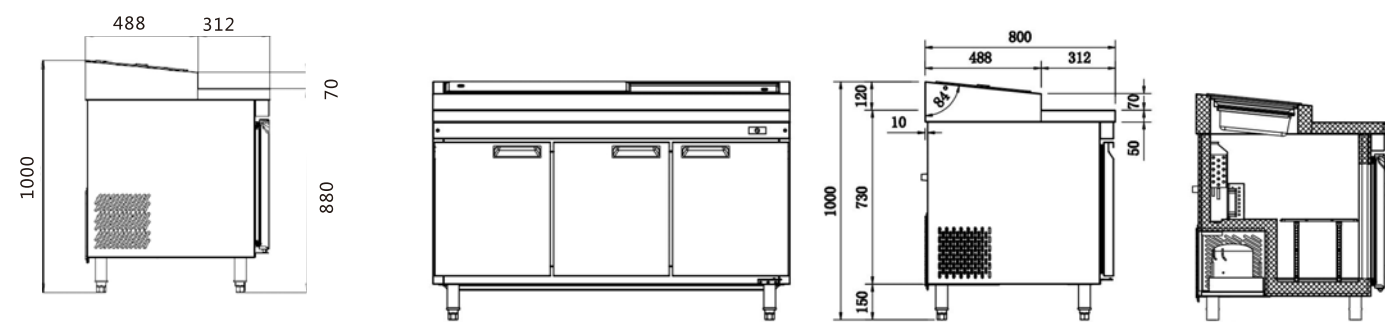


## PIZZA TABLE



PIZZA TABLE (Air cooling)

Model	PZ1200AR2	PZ1500AR3	PZ1800AR3	PZ2000AR4
Product	2 DOOR (Acrylic push-pull cover)	3 DOOR (Acrylic push-pull cover)	3 DOOR (Acrylic push-pull cover)	3 OR 4 DOOR (Acrylic push-pull cover)
Classification	Chiller			
Size(mm)	1200×800×1000	1500×800×1000	1800×800×1000	2000×800×1000
Capacity(L)	250+6*1/3Pans	360+7*1/3Pans	475+9*1/3Pans	550+10*1/3Pans
Refrigeration mode	Air cooling			
Temperature	0 ~+5			
Refrigerant	R-134a			
Voltage	220V/50Hz/16A			
Power	392W	526W	661W	674W
Net weight	110KG	127KG	147KG	167KG



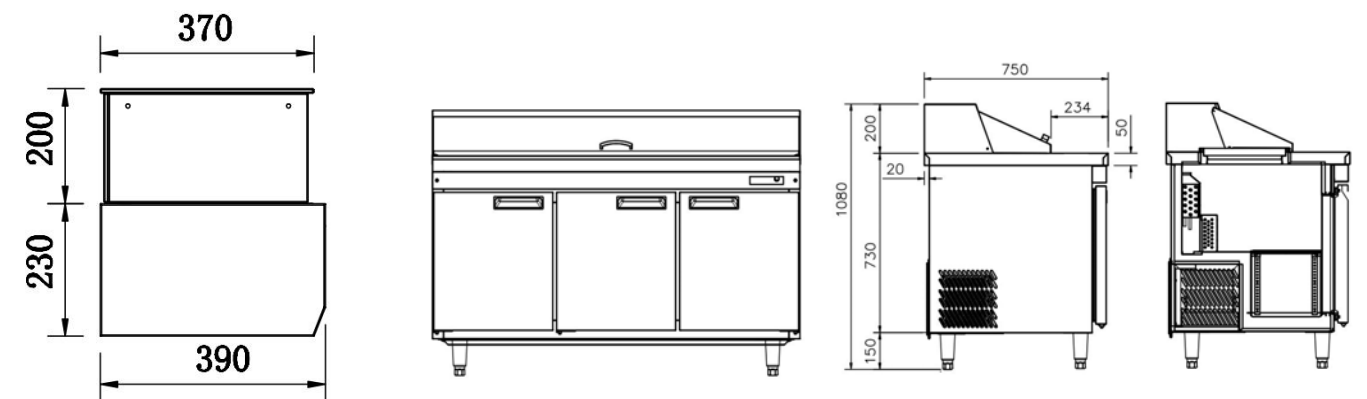
## SALAD TABLE



COUNTERTOP SALAD TABLE (Direct cooling)

SALAD TABLE (Air cooling)

Model	T-SL115DR	T-SL115DR	T-SL115DR	T-SL115DR	T-SL115DR	T-SL115DR	SL700AR1	SL700AR1	SL1200AR2	SL1800AR3	SL2400AR4
Product	COUNTERTOP SALAD TABLE (Glass/Stainless steel cover)						SALAD TABLE				
Classification	Chiller						Chiller				
Size(mm)	1115×390×420	1295×390×420	1475×390×420	1655×390×420	1835×390×420	2015×390×420	700×750×1080	1200×750×1080	1500×750×1080	1800×750×1080	2400×750×1080
Capacity(L)	23 (4*1/3Pans)	29 (5*1/3Pans)	35 (6*1/3Pans)	40 (7*1/3Pans)	46 (8*1/3Pans)	52 (9*1/3Pans)	150 +3*1/3Pans	270 +6*1/3Pans	340 +7*1/3Pans	410 +9*1/3Pans	560 +12*1/3Pans
Refrigeration mode	Direct cooling						Air cooling				
Temperature	+2 ~+8						0 ~+5				
Refrigerant	R-134a						R-134a				
Voltage	220V/50Hz/10A						220V/50Hz/16A				
Power	266W						355W	394W	526W	665W	896W
Net weight	40KG	43KG	46KG	50KG	53KG	56KG	80KG	100KG	115KG	125KG	140KG



COUNTERTOP SALAD TABLE

SALAD TABLE

# BLAST CHILLER & FREEZER

SUPER WIDE TEMPERATURE ZONE 5°~40°

Precise temperature control, fast cooling speed;

Imported accessories, stable quality;

**SHOCK FREEING**

FREEZER



**BLASTCHILLING**

CHILLER



## BLAST CHILLER & FREEZER



ALISA-3

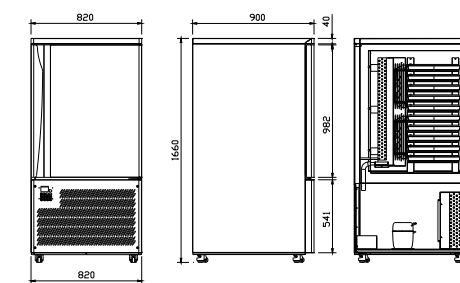
ALISA-5

ALISA-12

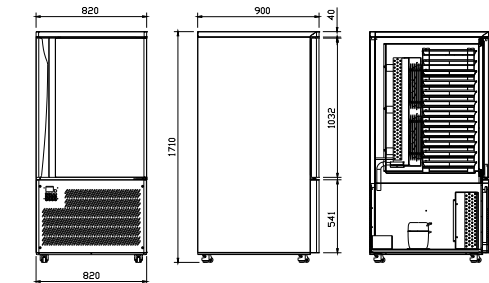
ALISA-15

ALISA-30

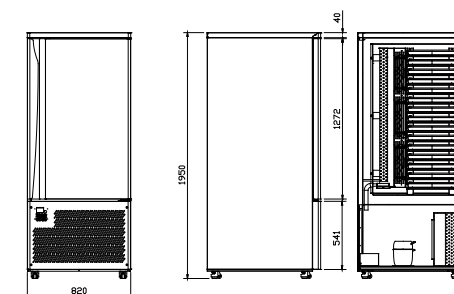
Model	ALISA-3	ALISA-5	ALISA-10	ALISA-12	ALISA-15	ALISA-30
Product	3 Pans	5 Pans	10 Pans	12 Pans	15 Pans	30 Pans
Classification	Freezer					
Size(mm)	820×900×930	820×900×1030	820×900×1660	820×900×1710	820×900×1950	1650×900×1950
Capacity(L)	80 (3Pans)	90 (5Pans)	253 (10Pans)	253 (12Pans)	336 (15Pans)	755 (30Pans)
Refrigeration mode	Air cooling					
Temperature	-40°C ~ +5°C					
Refrigerant	R-404a					
Voltage	220V/50Hz/16A		220V&380/50Hz		380/50Hz	
Power	800W	1100W	2200W	2200W	2500W	5200W
Net weight	110KG	140KG	180KG	183KG	200KG	380KG



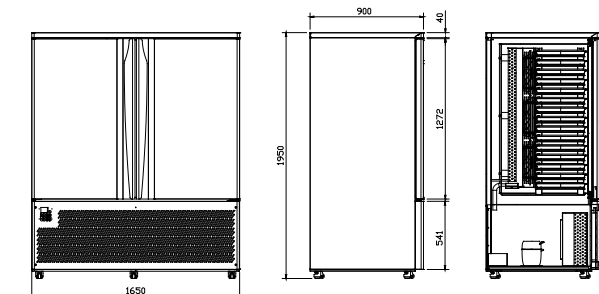
10 Pans



12 Pans



15 Pans



30 Pans



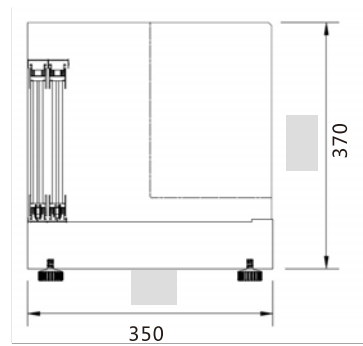
# SUSHI TABLE



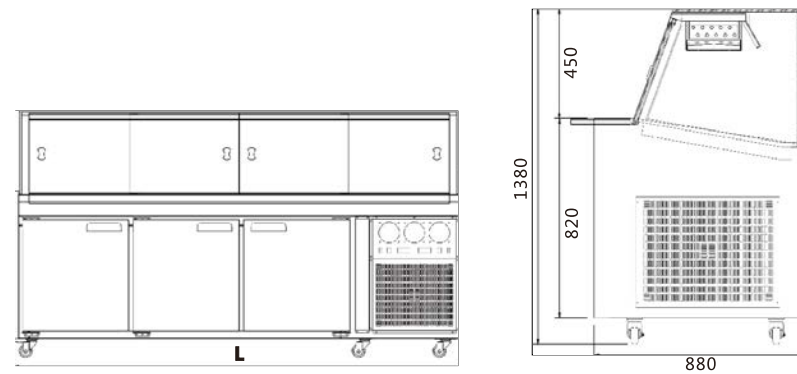
■ COUNTERTOP SUSHI TABLE

■ SUSHI TABLE (DUAL TEMP. )

Model	T-OY1200S	T-OY1500S	T-OY1800S	T-OY2400S	OY850V-S	OY860V-S	OY870V-S	OY880V-S
Product	COUNTERTOP SUSHI TABLE				SUSHI TABLE (DUAL TEMP.)			
Classification	Chiller				Chiller			
Size(mm)	1200×350×370	1500×350×370	1800×350×370	2400×350×370	1500×880×1380	1800×880×1380	2100×880×1380	2400×880×1380
Capacity(L)	80	101	123	166	759	840	921	1002
Refrigeration mode	Air cooling				Air cooling			
Temperature	+2°C~+10°C				+2°C~+8°C			
Refrigerant	R-134a				R-404a			
Voltage	220V/50Hz/10A				220V/50Hz/16A			
Power	327W	360W	433W	536W	786W	900W	1120W	1220W
Net weight	\	\	\	\	35KG	46KG	56KG	75KG



■ COUNTERTOP SUSHI TABLE



■ SUSHI TABLE (DUAL TEMP. )

# PROMOTION ISLAND-COUNTER

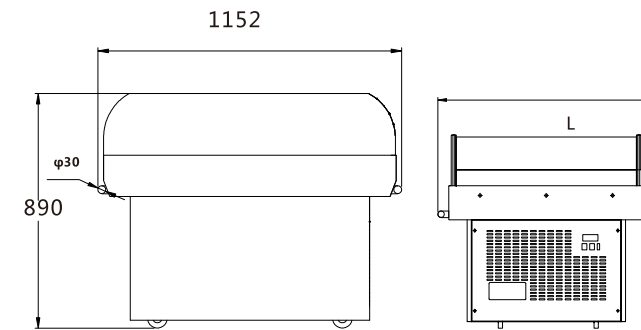


■ PROMOTION ISLAND-COUNTER

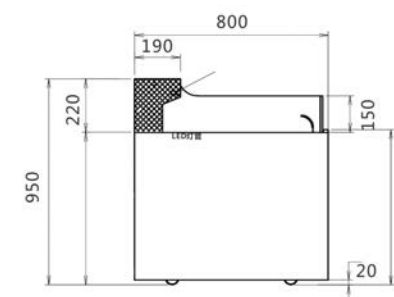
■ PROMOTION ISLAND-COUNTER

■ PROMOTION ISLAND-COUNTER

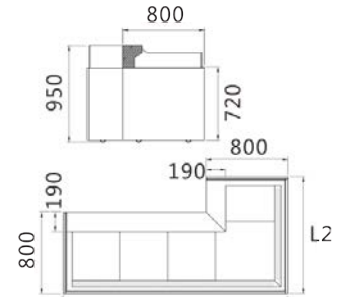
Model	KX-1.0MFR	KX-1.2MFR	KX-1.5MFR	\	\	\	\	\	\
Product	PROMOTION ISLAND-COUNTER			PROMOTION ISLAND-COUNTER				SLAND-COUNTER	
Classification	Chiller			Chiller/Warm				Chiller	
Size(mm)	1000×1152×890	1200×1152×890	1500×1152×890	1200×800×950	1500×800×950	1800×800×950	2100×800×950	2400×800×950	2000×1000×800×950
Capacity(L)	180	220	270	86	110	135	158	182	146
Refrigeration mode	Air cooling			Air cooling/Heating				Air cooling	
Temperature	0 ~+10			0 ~+5 / +35 ~+55				0°C~+5°C	
Refrigerant	R-404a			R-404a / 无				R-134a	
Voltage	220V/50Hz/16A			220V/50Hz				220V/50Hz	
Power	682W	710W	812W	810/1900W	1020/3110W	1145/3500W	1170/4200W	1170/4500W	1140W
Net weight	\	\	\	\	\	\	\	\	\



■ PROMOTION ISLAND-COUNTER



■ PROMOTION ISLAND-COUNTER



■ PROMOTION ISLAND-COUNTER



# OPEN CHILLER



■ OPEN CHILLER

■ OPEN CHILLER

■ OPEN CHILLER

# OPEN CHILLER



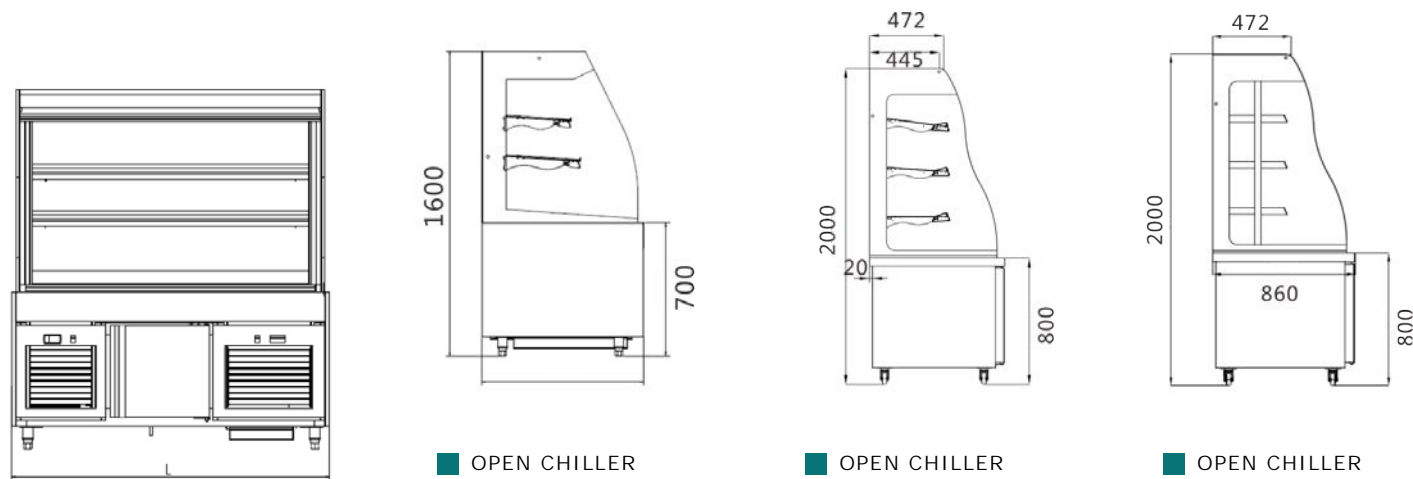
■ OPEN CHILLER

■ OPEN CHILLER

■ OPEN CHILLER

Model	D-K850AN	D-K860AN	D-K870AN	\	\	\	\	\	\
Product	OPEN CHILLER			OPEN CHILLER			OPEN CHILLER		
Classification	Chiller			Chiller/Room temperature			Chiller/Freezer		
Size(mm)	1500×850×1600	1800×850×1600	2100×850×1600	1500×860×2000	1800×860×2000	2100×860×2000	1500×860×2000	1800×860×2000	2100×860×2000
Capacity(L)	664	814	914	305+113+318	370+138+387	457+170+455	305+113+318	370+138+387	457+170+455
Refrigeration mode	Air cooling			Direct cooling/Room temperature			Direct cooling		
Temperature	+5°C~+10°C			-15°C/-2°C/Room temperature			-015°C/-2°C/+5°C		
Refrigerant	R-404a			R-404a			R-404a		
Voltage	220V/50Hz/16A			220V/50Hz/16A			220V/50Hz/16A		
Power	1650W	1820W	2255W	766W	817W	976W	930W	1050W	1216W
Net weight	\	\	\	\	\	\	\	\	\

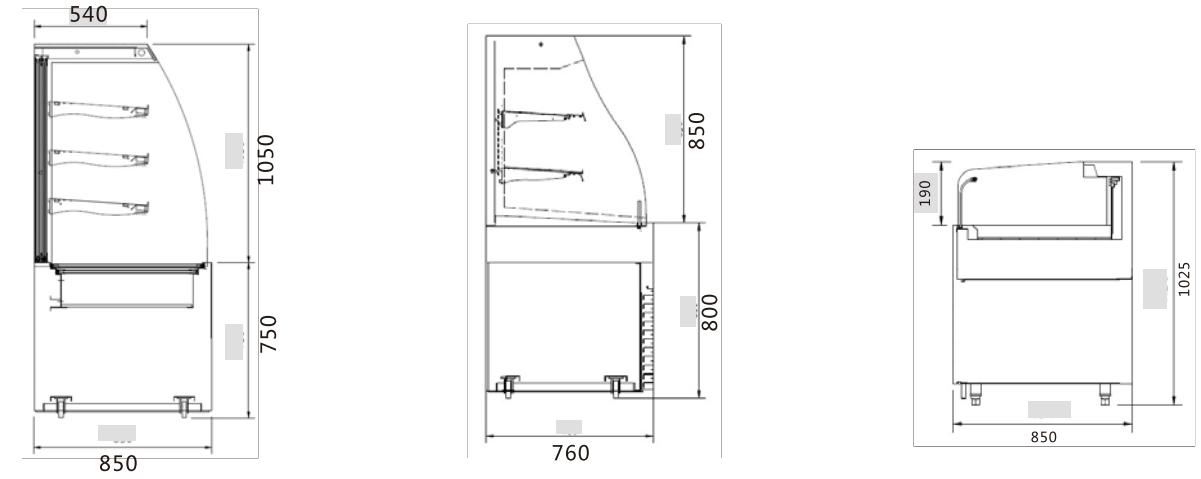
Model	\	\	\	\	\	\	D-BD850VS	D-BD850VS	D-BD850VS	D-BD850VS
Product	OPEN CHILLER			OPEN CHILLER			OPEN CHILLER			
Classification	Chiller			Chiller			Chiller			
Size(mm)	1200×850×1800	1500×850×1800	1800×850×1800	1200×720×1650	1200×720×1650	1200×720×1650	1500×850×1025	1800×850×1025	2100×850×1025	2400×850×1025
Capacity(L)	78+240	100+305	121+370	211	270	326	376	508	640	772
Refrigeration mode	Air cooling/Direct cooling			Air cooling			Air cooling			
Temperature	-5°C/+5°C			+5°C~+10°C			+5°C~+10°C			
Refrigerant	R-404a			R-404a			R-404a			
Voltage	220V/50Hz/16A			220V/50Hz/16A			220V/50Hz/16A			
Power	1228W	1520W	2178W	870W	1120W	1820W	910W	985W	640W	772W
Net weight	\	\	\	\	\	\	\	\	\	\



■ OPEN CHILLER

■ OPEN CHILLER

■ OPEN CHILLER



■ OPEN CHILLER

■ OPEN CHILLER

■ OPEN CHILLER

## CUSTOM DISPLAY SHOWCASE

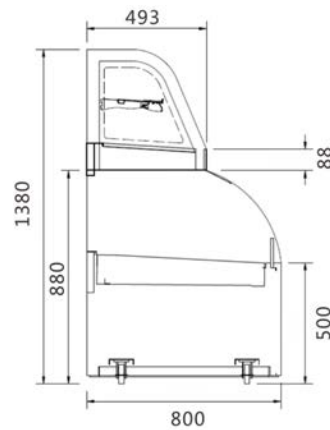


- Intelligent temperature control system. Precise temperature adjustment, system self-test function, multifunctional display, automatic alarm system. Air-cooled refrigeration system.
- Increased cooling speed, long-lasting food preservation, frost-free, balanced space temperature.
- Various configurations are available

■ DOUBLE DECK DISPLAY COOLER

### DOUBLE DECK DISPLAY COOLER

Model	DC1080	DC1280	DC1580
Size(mm)	1000*800*1380	1200*800*1380	1500*800*1380
Capacity(L)	95+74	116+90	147+113
Temperature	+5 ~+10 / +2 ~+8	+5 ~+10 / +2 ~+8	+5 ~+10 / +2 ~+8
Power	997W	1175W	1384W
Voltage	220V/50Hz/16A	220V/50Hz/16A	220V/50Hz/16A
Refrigerant	R404A	R404A	R404A

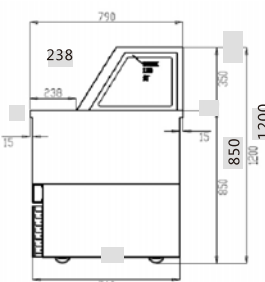


New cabinet height design, ergonomic.  
Exquisite manufacturing process, energy efficient compressor.  
Heat-insulated curved centre glass for good visibility.  
Built-in LED lamp to enjoy visualization of the refrigerated space.



### EMBEDDED ICE CREAM SHOWCASE

Model	/
Size(mm)	1000*650*1200
Capacity(L)	84+5*1/6Pans
Temperature	-22 ~-18
Power	1442W
Voltage	220V/50Hz/16A
Refrigerant	R404A



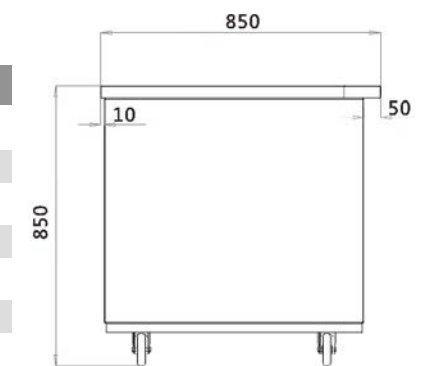
■ EMBEDDED ICE CREAM SHOWCASE

## COLD WATER CABINET



### COLD WATER CABINET

Model	4 barrels	6 barrels (cold/warm)	12 barrels
Size(mm)	1200*850*850	1500*850*850	1900*800*1000
Capacity(L)	220	327	500
Temperature	0 ~+10	0 /90	0 ~+10
Power	460W	6050W	950W
Voltage	220V/50Hz/16A	380V/50Hz	220V/50Hz/16A
Refrigerant	R134A	R404A	R404A



# CUSTOM WINE CABINET

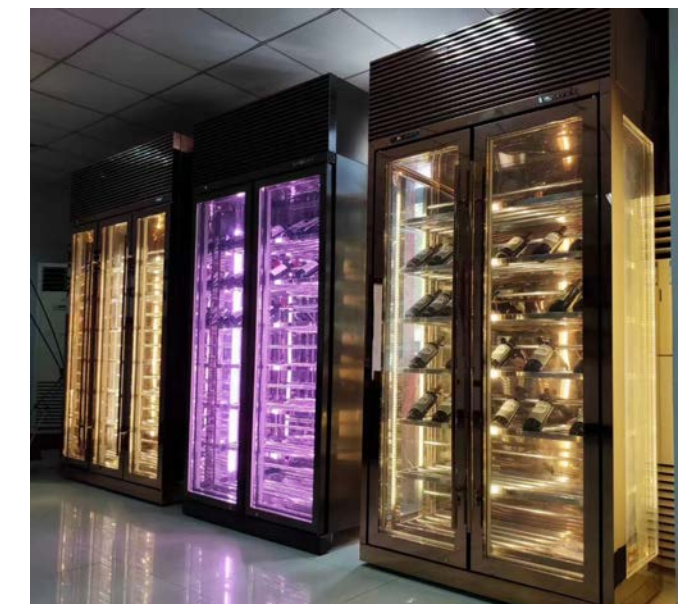
RED WINE CABINET



The exterior is made of high-grade, trendy titanium steel with a double layer of anti-fog glass in the centre  
LED lighting inside the box  
Locking structure for the door  
Customised storage options

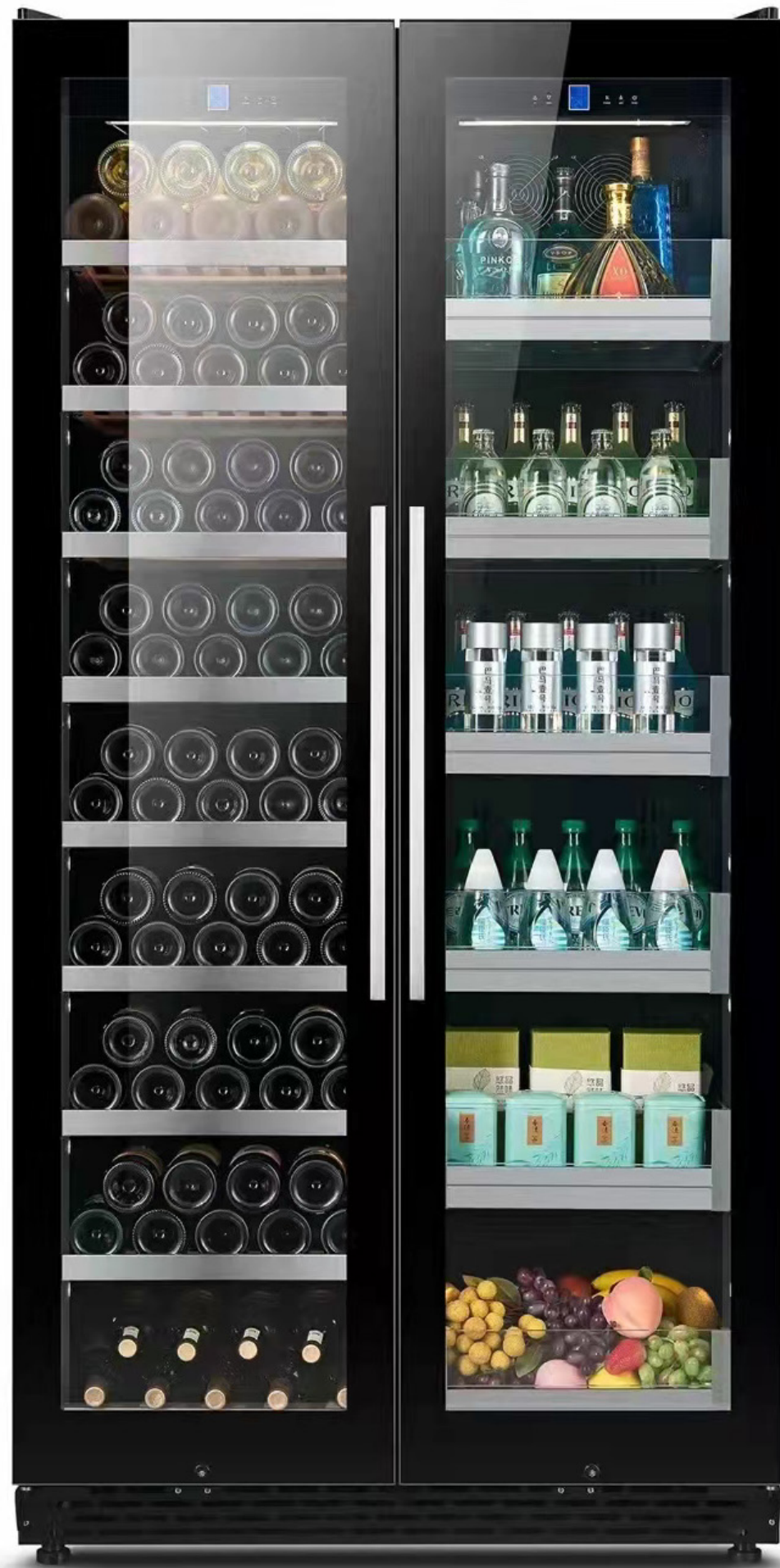


## RED WINE CABINET



- + 12 °C ~ + 18 °C
- Hotel/Restaurant/Club

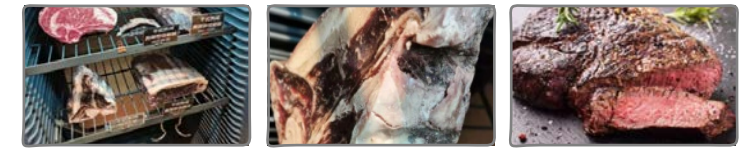
The exterior is made of high-grade, trendy titanium steel with a double layer of anti-fog glass in the centre  
LED lighting inside the box  
Locking structure for the door  
Customised storage options



# BEEF SHOWCASE

## Hotel / Restaurant

- Temperature +2°C~+4°C, humidity 75%-85%
- The exterior is made of high-grade , trendy coloured steel plates
- Food grade materials used Inner liner and shelves
- Precise temperature Humidity control
- High-visibility UV-protected insulating glass
- Shelf for shelves Adjustable at will



● Color change of beef maturation days

